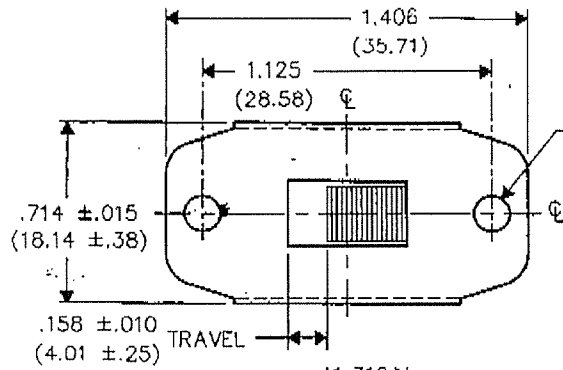


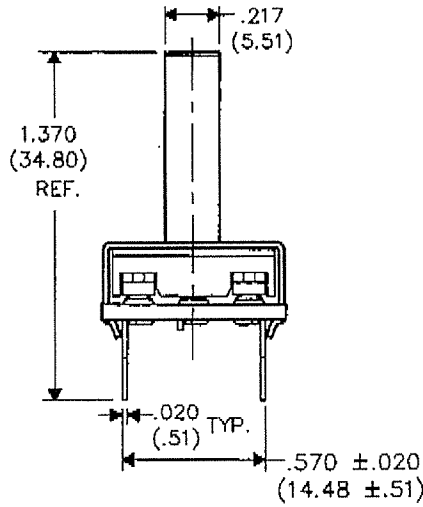
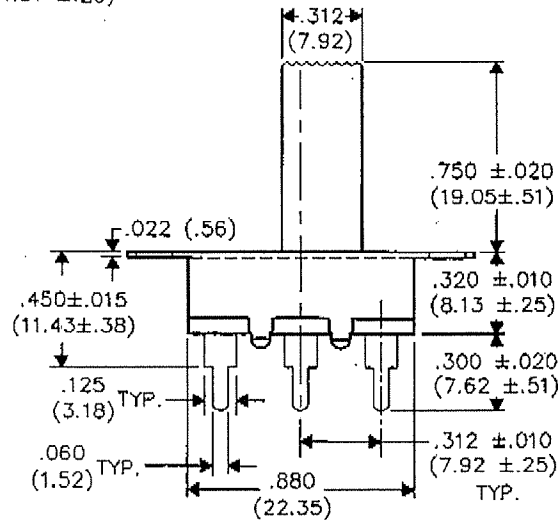
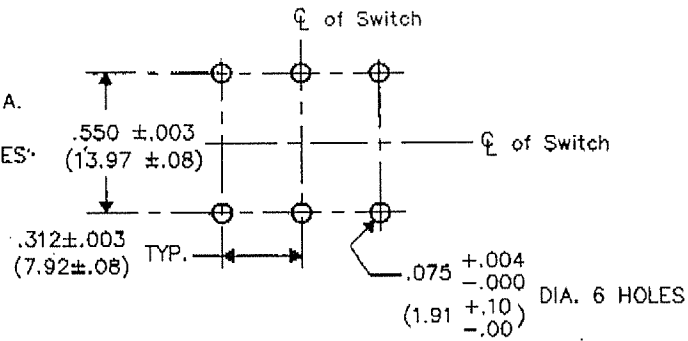
DIMENSIONS IN INCHES (MILLIMETERS)
DO NOT SCALE DRAWING

Dwg. No.
G-375A-0016

P.C. PATTERN



.140 DIA.
(3.56)
2 HOLES



E
D
C
B
A

1 2 3 4 5 6 7 8 9 10

B-FORMAT 2002
REVISIONS
1
REDRAWN ON NEW FORMAT:
DCW 8-17-2005
JUG 8.9.2005

CW INDUSTRIES
Southampton, Pa. 18966
TOLERANCES UNLESS OTHERWISE SPECIFIED
2 Place Decimal ±.010 METRIC
3 Place Decimal ±.005 1 Place Dec. ±.25mm
Angle ±1' 2 Place Dec. ±.13mm
Made for: CW IND.
Drawn by: DGW 8-17-2005
Checked by: G. Guld 8-22-05
Approval: P. Thompson 8-22-05

Title: **ASSEMBLY DRAWING DP/DT SPRING RETURN**
Division: **SWITCH**
Dwg. No. **G-375A-0016**